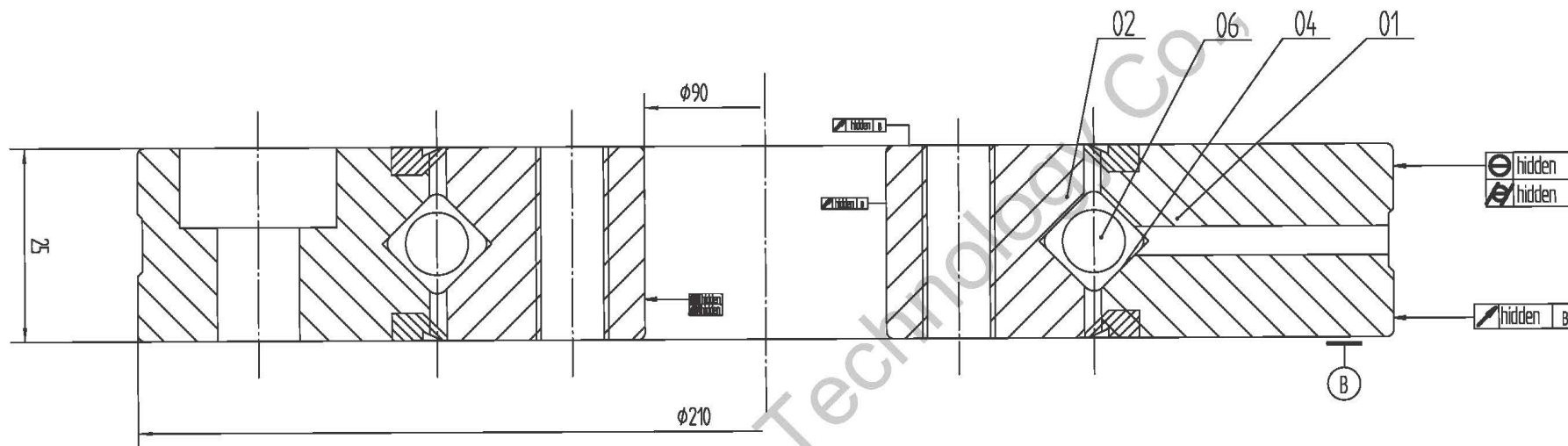


Luoyang JCB Bearing Technology Company Limited has full copyright for this drawing, we reserve the right to investigate and ascertain any misappropriation immorally



Remark:

1. Luoyang JCB Bearing Technology Co., Ltd is a technical Inc, specialize in designing and manufacturing crossed roller bearing, we can design and manufacture all kinds of crossed roller bearing according to client's requirement, dimension range cover from 20mm to 6500mm, precision grade is from P0 to P4.

2. This drawing is only a reference, if you need formal drawing please contact with us sales@jcb-bearing.com, the official drawing will be submitted according to your request.

Contact information

Company Address : No. 285, Fenghua road, Luoyang, Henan, China Postal code : 471000

Phone : 86-379-68611678 Fax : 86-379-68611679

E-mail: sales@jcb-bearing.com Reserved E-mail: jcb-bearing@hotmail.com

Website: www.jcb-bearing.com

www.crossed-roller-bearings.com

roller crossed arrangement

06	Spacer				
04	Roller		steel GCr15-GB/T18254		
02	Inner ring		steel GCr15-GB/T18254		
01	outer semi ring		steel GCr15-GB/T18254		
Part No.	Name	qty	Material	weight (kg)	
CROSSED ROLLER BEARING				CRBFV 9025 AT UU	
				Weight (kg)	
				4.83	
				Total 4 page	First page
Luoyang JCB Bearing Technology Co, Ltd					

